

Introducing the **BANE**



The **BANE** is a semi-direct recessed luminaire with a formed opal diffuser. Ideal for offices, conference facilities, schools and shopping malls.



Consult SA (PTY) LTD



SABS
ISO 9001



Product Benefits

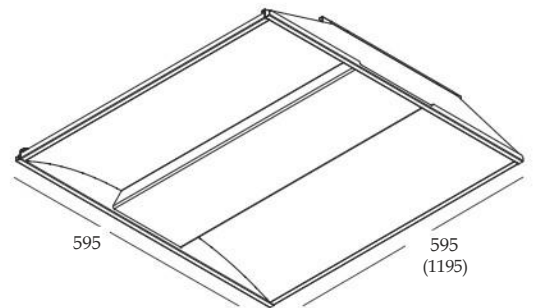
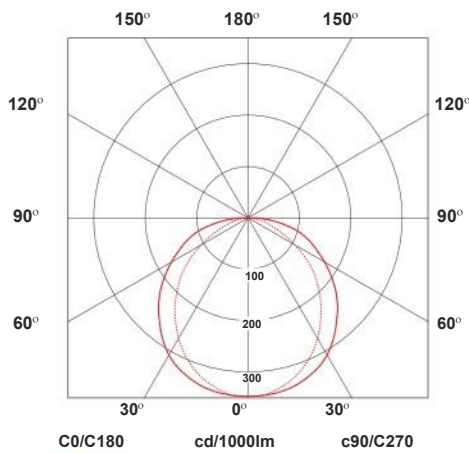
- Attractive and efficient
- Modern sleek design
- Low maintenance
- Built In LED driver
- Easy installation
- SABS approved driver
- SANS-IEC 60598 safety compliance and mark



Product Features

- Highly efficient back-lit formed opal diffuser
- Variable light output possible by adjusting LED drive current
- Options include DALI dimming, Bluetooth mesh control, tuneable white, emergency backup and HF sensors.
- Long life
- Available in 600x600 or 1200x600 ceiling format
- LED life L_{80B10} - 50 000 hours
- Driver life F₁₀ - 100 000 hours
- Supply - 220-240V 50-60Hz PF > 0.95
- Surge current (flicker) < 5%
- 5 year guarantee

133 lm/W



Efficacy Rating

- PREMIUM RANGE** >140 lm/W
- MID RANGE** 120 - 140 lm/W
- ECO RANGE** 100 - 120 lm/W

Luminaire Wattage	Luminaire Output (Lumens)	Colour Temperature	Efficacy lm/W	Ra (CRI)	Reference Code
600 x 600					
21W	2 751	4000K	131	>80	LLC-BAN-21W-2R6
25W	3 175	4000K	127	>80	LLC-BAN-25W-2R6
27W	3 135	4000K	116	>80	LLC-BAN-27W-2R6
32W	4 050	4000K	127	>80	LLC-BAN-32W-2R6
1200 x 600					
39W	5 200	4000K	133	>80	LLC-BAN-39W-2R12
54W	7 000	4000K	130	>80	LLC-BAN-54W-2R12

