



Introducing the **CAVO**



The **CAVO** is a decorative, stylish recessed LED luminaire with clean lines and opal diffuser. Ideal for offices, conference facilities, schools and shopping malls.



Consult SA (PTY) LTD



SABS
ISO 9001

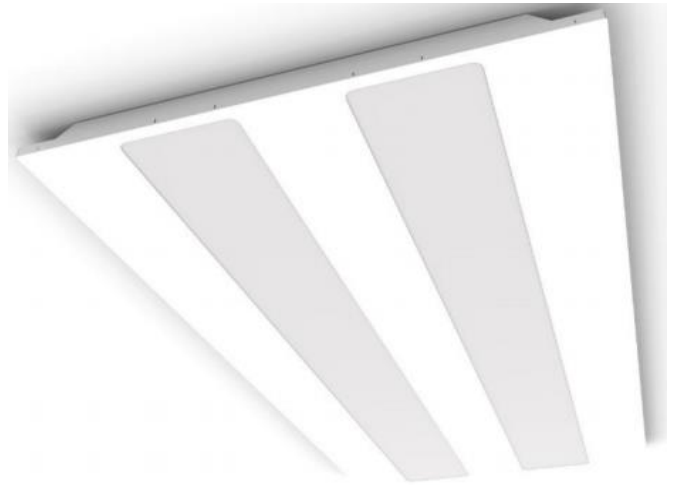


Product Benefits

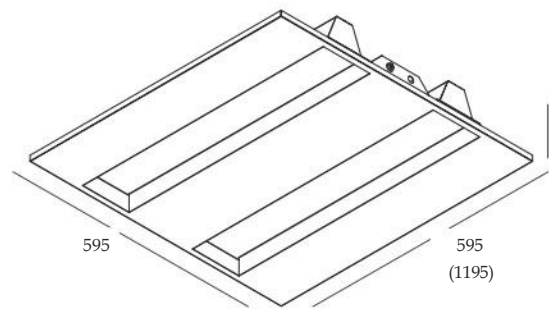
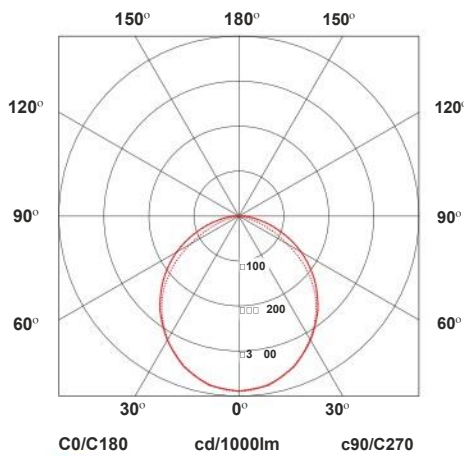
- Attractive and efficient
- Modern sleek design
- Low maintenance
- Built In LED driver
- Easy installation
- SABS approved driver
- SANS-IEC 60598 safety compliance and mark

Product Features

- Highly efficient diffuser with semi-recessed panels
- Variable light output possible by adjusting LED drive current
- Available with plain or perforated in-fill panels
- Options include DALI dimming, Bluetooth mesh control, tuneable white, emergency backup and HF sensors.
- Long life
- Available in a 2 or 3 cell version - 600x600 or 1200x600 ceiling format
- LED life L₈₀B₁₀ - 50 000 hours
- Driver life F₁₀ - 50 000 hours
- Supply - 220-240V 50-60Hz PF > 0.95
- Surge current (flicker) < 5%
- 5 year guarantee



 **123 lm/W**



Efficacy Rating

-  **PREMIUM RANGE** >140 lm/W
-  **MID RANGE** 120 - 140 lm/W
-  **ECO RANGE** 100 - 120 lm/W

Luminaire Wattage	Luminaire Output (Lumens)	Colour Temperature	Efficacy lm/W	Ra (CRI)	Reference Code
600 x 600 2-Cell					
29W	3 500	4000K	121	>80	LLC-CAV-29W-2C6
32W	3 850	4000K	120	>80	LLC-CAV-32W-2C6
1200 x 600 2-Cell					
42W	5 170	4000K	123	>80	LLC-CAV-42W-2C12
67W	7 800	4000K	116	>80	LLC-CAV-67W-2C12
600 x 600 3-Cell					
38W	4 600	4000K	121	>80	LLC-CAV-38W-3C6
43W	5 100	4000K	119	>80	LLC-CAV-43W-3C6
1200 x 600 3-Cell					
63W	7 760	4000K	123	>80	LLC-CAV63W-3C12
101W	11 700	4000K	116	>80	LLC-CAV-101W-3C12

