

Introducing the **DELIA**



The **DELIA** is an industrial bulkhead with modern features and an clear diffuser, ideal for any outdoor or indoor project.



Consult SA (PTY) LTD



SABS
ISO 9001

DELIA

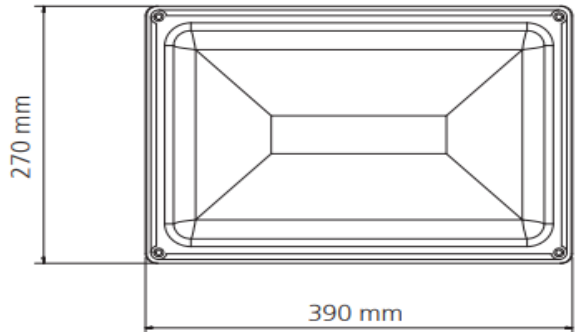
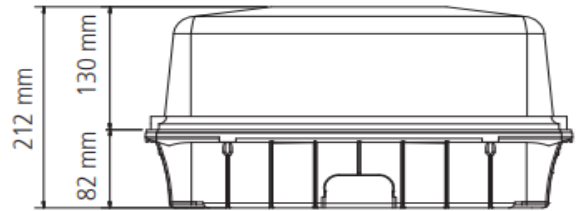


Product Features

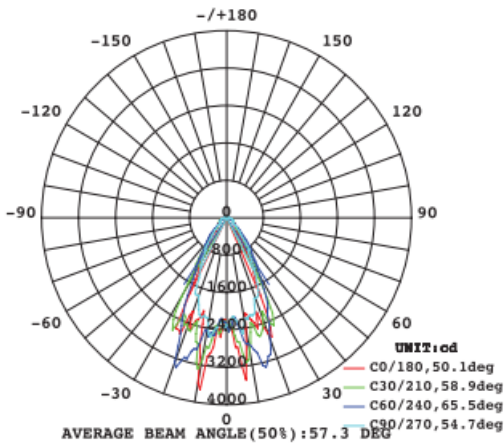
- High efficient clear diffuser
- For emergency battery back up add "E" to end of the catalogue reference
- IP65 Rectangular die-cast aluminum bulkhead complete with stainless steel screws, helicoils and UV stabilized opal diffuser
- Temperature range = -25 deg. C to +45 deg. C for performance operation (Tc on board < 65 deg. C
- Long life
- LED life L_{80B10} - 50 000 hours
- Driver life F₁₀- 100 000 hours
- Supply - 220-240V 50-60Hz PF > 0.95
- Ripple current (flicker) < 30%
- 5 year guarantee on internal components
- 20 year guarantee on luminaire body



DIMENSIONS



PHOTOMETRIC DIAGRAM (IES Files available on request)



Luminaire Wattage	Luminaire Output (Lumens)	Colour Temperature	Efficacy lm/W	Ra (CRI)	Reference Code
35W	4 630	4000K	132	>80	LLC-DLA-35W-4K
50W	6 945	4000K	138	>80	LLC-DLA-50W-4K
70W	9 260	4000K	132	>80	LLC-DLA-70W-4K



Consult SA (PTY) LTD

