

Introducing the **MERA-S**



The **MERA-S** is an efficient decorative LED downlight luminaire suitable for use in shopping malls, offices, schools and public areas - a wide range of outputs and light distributions enable an effective solution for malls, conference rooms, lecture theatres and auditoriums.



Consult SA (PTY) LTD



SABS
ISO 9001

MERA-S

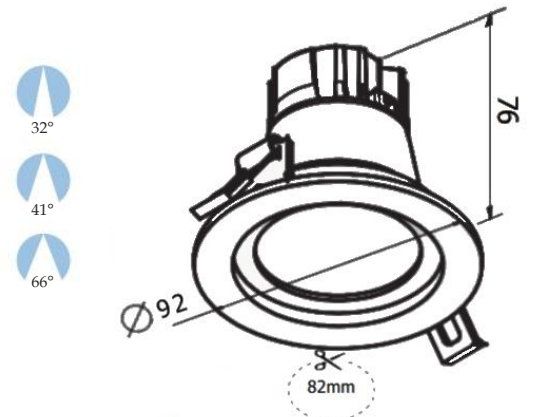


Product Features

- Housing in die-cast aluminium - powder coated with structured finish
- Super-purity aluminium reflector with two beam angle options
- Good heat dissipation due to cast aluminium heat sink
- Remote LED driver
- Available in CCT 3000K and 4000K - additional specialised colours available on request
- Available in CRI Ra > 80 and Ra > 90
- Options include DALI dimming, emergency backup and Bluetooth mesh control
- LED life L₈₀B₁₀ - 50 000 hours
- Driver life F₁₀ - 100 000 hours
- Supply - 220-240V 50-60Hz PF > 0.95
- Surge current (flicker) < 5%
- 5 year guarantee



 161 lm/W



Efficacy Rating

-  **PREMIUM RANGE** >140 lm/W
-  **MID RANGE** 120 - 140 lm/W
-  **ECO RANGE** 100 - 120 lm/W

Luminaire Wattage	Luminaire Output (Lumens)	Colour Temperature	Efficacy lm/W	Ra (CRI)	Reference Code
8W	1 194	3000K	157	>80	LLC-MER-S-8W-3K
8W	1 225	4000K	161	>80	LLC-MER-S-8W-4K
9W	1 368	3000K	152	>80	LLC-MER-S-9W-3K
9W	1 404	4000K	156	>80	LLC-MER-S-9W-4K
13W	1 849	3000K	152	>80	LLC-MER-S-13W-3K
13W	1 898	4000K	140	>80	LLC-MER-S-13W-4K



Consult SA (PTY) LTD



SABS
ISO 9001