

# ACCENT LIGHTING



## Introducing the MERA-SQS

The **MERA-SQS** is a recessed flexible spotlight delivering an ideal lighting system for display lighting, commercial shopping malls, restaurants and especially ideal for retail displays.

The **MERA-SQS** spotlight module can be tilted up to 60 degrees and rotated 360 degrees.



Consult SA (PTY) LTD



**SABS**  
ISO 9001

# MERA-SQS



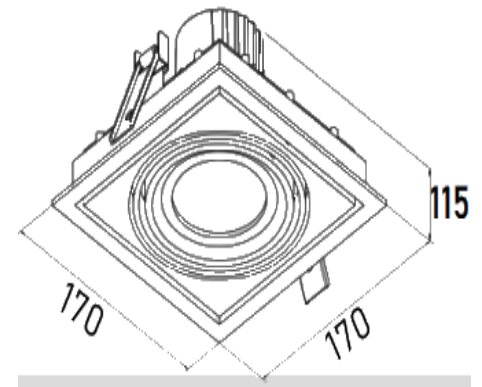
## Product Features

- Spotlight housing in extruded aluminium, ends of die-cast aluminium - powder coated with structured finish
- Front ring in thermoplastic
- Super-purity Miro reflector with three beam angle options
- Integral LED driver
- Available in CCT 3000K and 4000K - additional specialised colours available on request
- Available in CRI Ra > 80 and Ra > 90
- Options include DALI dimming, emergency backup and Bluetooth mesh control
- LED life L<sub>80B10</sub> - 50 000 hours
- Driver life F<sub>10</sub> - 100 000 hours
- Supply - 220-240V 50-60Hz PF > 0.95
- Surge current (flicker) < 5%
- 5 year guarantee



**146 lm/W**

The following lens optic options are also available - Oval 57° x 30°, Medium 32°, Flood 47° and Wide Flood 53°



## Efficacy Rating

- PREMIUM RANGE** >140 lm/W
- MID RANGE** 120 - 140 lm/W
- ECO RANGE** 100 - 120 lm/W

Luminaire Wattage	Luminaire Output (Lumens)	Colour Temperature	Efficacy lm/W	RA (CRI)	Reference Code
12W (350mA)	1 860	3000K	155	>80	LLC-MER-SQS-12W-3K
12W (350mA)	1 860	4000K	161	>80	LLC-MER-SQS-12W-4K
17W (500mA)	2 516	3000K	148	>80	LLC-MER-SQS-17W-3K
17W (500mA)	2 601	4000K	153	>80	LLC-MER-SQS-17W-4K
25W (600mA)	3 500	3000K	140	>80	LLC-MER-SQS-25W-3K
25W (600mA)	3 625	4000K	145	>80	LLC-MER-SQS-25W-4K
30W (700mA)	3 990	3000K	133	>80	LLC-MER-SQM-30W-3K
30W (700mA)	4 140	4000K	138	>80	LLC-MER-SQM-30W-4K

