

Introducing the **MERA-TL**



The **MERA-TL** is an efficient decorative LED downlight luminaire suitable for use in shopping malls, offices, schools and public areas - a wide range of outputs and light distributions enable an effective solution for malls, conference rooms, lecture theatres and auditoriums.



Consult SA (PTY) LTD



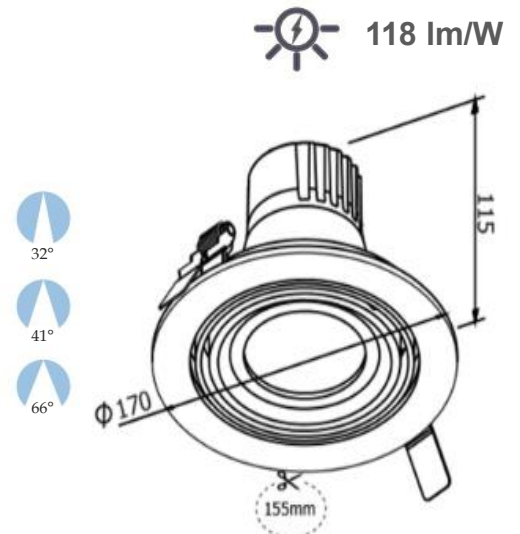
SABS
ISO 9001

MERA-TL



Product Features

- Housing in die-cast aluminium - powder coated with structured finish
- Super-purity aluminium reflector with two beam angle options
- Good heat dissipation due to cast aluminium heat sink
- Remote LED driver
- Available in CCT 3000K and 4000K - additional specialised colours available on request
- Available in CRI Ra > 80 and Ra > 90
- Options include DALI dimming, emergency backup and Bluetooth mesh control.
- LED life L₈₀B₁₀ - 50 000 hours
- Driver life F₁₀ - 100 000 hours
- Supply - 220-240V 50-60Hz PF > 0.95
- Surge current (flicker) < 5%
- 5 year guarantee



Efficacy Rating

-  **PREMIUM RANGE** >140 lm/W
-  **MID RANGE** 120 - 140 lm/W
-  **ECO RANGE** 100 - 120 lm/W

Luminaire Wattage	Luminaire Output (Lumens)	Colour Temperature	Efficacy lm/W	Ra (CRI)	Reference Code
28W (700mA)	4 758	3000K	168	>80	LLC-MER-TL-28W-3K
28W (700mA)	4 883	4000K	172	>80	LLC-MER-TL-28W-4K
36W (900mA)	5 751	3000K	162	>80	LLC-MER-TL-36W-3K
36W (900mA)	5 902	4000K	166	>80	LLC-MER-TL-36W-4K
41W (1050mA)	6 461	3000K	157	>80	LLC-MER-TL-41W-3K
41W (1050mA)	6 630	4000K	161	>80	LLC-MER-TL-41W-4K
49W (1300mA)	7 360	3000K	151	>80	LLC-MER-TL-49W-3K
49W (1300mA)	7 552	4000K	155	>80	LLC-MER-TL-49W-4K



Consult SA (PTY) LTD



SABS
ISO 9001