

ARCHITECTURAL LIGHTING



Introducing the MERA-TM



The **MERA-TM** is an efficient decorative LED downlight luminaire suitable for use in shopping malls, offices, schools and public areas - a wide range of outputs and light distributions enable an effective solution for passage, area and accent lighting.



Consult SA (PTY) LTD



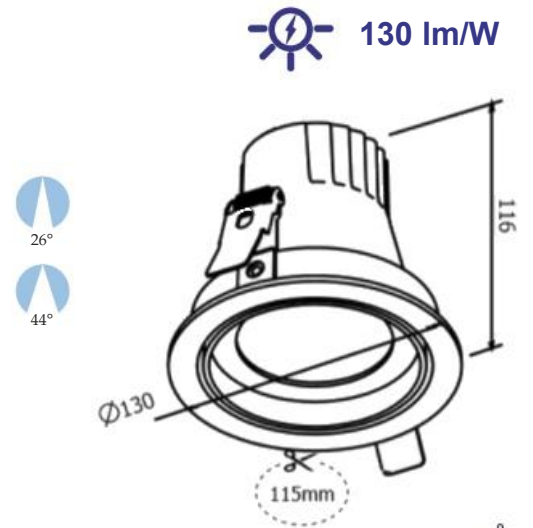
SABS
ISO 9001

MERA-TM



Product Features

- Housing in die-cast aluminium - powder coated with structured finish
- Super-purity aluminium reflector with two beam angle options
- Good heat dissipation due to cast aluminium heat sink
- Remote LED driver
- Available in CCT 3000K and 4000K - additional specialised colours available on request
- Available in CRI Ra > 80 and Ra > 90
- Options include DALI dimming, emergency backup and Bluetooth mesh control
- LED life L₈₀B₁₀ - 50 000 hours
- Driver life F₁₀ - 100 000 hours
- Supply - 220-240V 50-60Hz PF > 0.95
- Surge current (flicker) < 5%
- 5 year guarantee



Efficacy Rating

-  **PREMIUM RANGE** >140 lm/W
-  **MID RANGE** 120 - 140 lm/W
-  **ECO RANGE** 100 - 120 lm/W

Luminaire Wattage	Luminaire Output (Lumens)	Colour Temperature	Efficacy lm/W	Ra (CRI)	Reference Code
12W (350mA)	1 420	3000K	118	>80	LLC-MER-TM-12W-3K
12W (350mA)	1 560	4000K	130	>80	LLC-MER-TM-12W-4K
18W (500mA)	1 950	3000K	108	>80	LLC-MER-TM-18W-3K
18W (500mA)	2 150	4000K	118	>80	LLC-MER-TM-18W-4K
25W (700mA)	2 690	3000K	108	>80	LLC-MER-TM-25W-3K
25W (700mA)	2 950	4000K	118	>80	LLC-MER-TM-25W-4K
34W (900mA)	3 250	3000K	97	>80	LLC-MER-TM-34W-3K
34W (900mA)	3 570	4000K	106	>80	LLC-MER-TM-34W-4K



Consult SA (PTY) LTD



SABS
ISO 9001