



Introducing the ZEUS-T



The **ZEUS-T** has optimised light distribution for retail stores and high mounting height applications with high output LED modules.



Consult SA (PTY) LTD



ZEUS-T

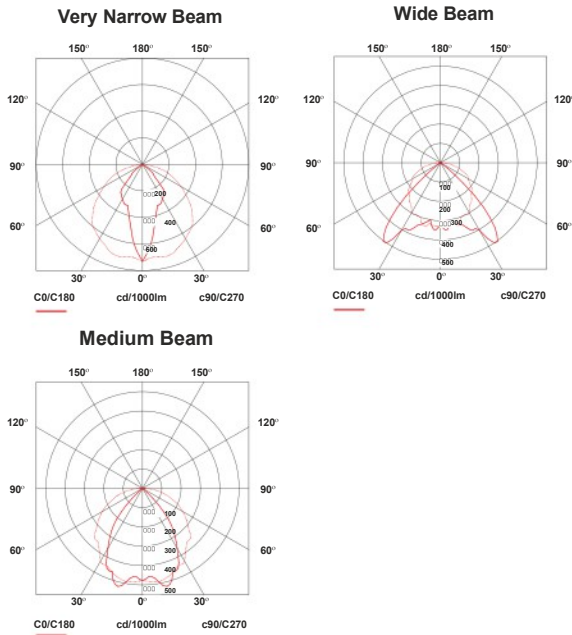


Product Benefits

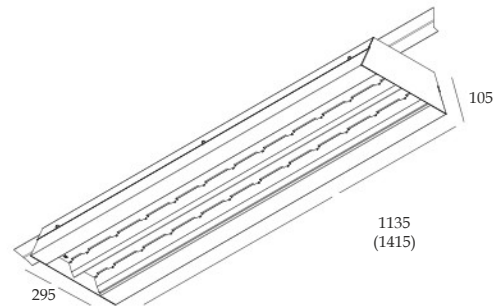
- Attractive and efficient
- Low maintenance
- Built-in LED driver
- Easy installation
- SABS approved control gear
- SANS-IEC 60598 safety compliance and mark

Product Features

- Outer steel body protects super-purity aluminium reflector
- Low glare
- Variable output possible by setting different drive currents
- Options include emergency, DALI dimmable, LI-Connect Bluetooth mesh control and additional surge protection
- Long life
- Separate wiring channel for easy through wiring
- LED life L_{50B10} - 50 000 hours
- Driver life F_{10} - 100 000 hours
- Supply = 220-240V 50-60Hz PF>0.95
- Surge current (flicker) < 5%
- 5 year guarantee



184 lm/W



Efficacy Rating

- PREMIUM RANGE** >140 lm/W
- MID RANGE** 120 - 140 lm/W
- ECO RANGE** 100 - 120 lm/W

Luminaire Wattage	Luminaire Output (Lumens)	Colour Temperature	Efficacy lm/W	Ra (CRI)	Reference Code
1135mm Module					
106W (450mA)	19 500	4000K	184	>85	LLC-ZES-T-106W-2C12
132W (550mA)	23 760	4000K	180	>85	LLC-ZES-T-132W-2C12
147W (650mA)	25 580	4000K	174	>85	LLC-ZES-T-147W-2C12
172W (750mA)	29 240	4000K	170	>85	LLC-ZES-T-172W-2C12
1415mm Module					
133W (450mA)	24 350	4000K	184	>85	LLC-ZES-T-133W-2C15
165W (550mA)	29 700	4000K	180	>85	LLC-ZES-T-165W-2C15
184W (650mA)	31 980	4000K	174	>85	LLC-ZES-T-184W-2C15
215W (750mA)	36 550	4000K	170	>85	LLC-ZES-T-215W-2C15



Consult SA (PTY) LTD

